
Cube

S4S and straightening has never been so easy.



In the 1980s,
we revolutionized S4S.

THE PROFIMAT 22 N

For a long time the "Gold Standard" for S4S and making straight components in one pass was the Profimat 22N.

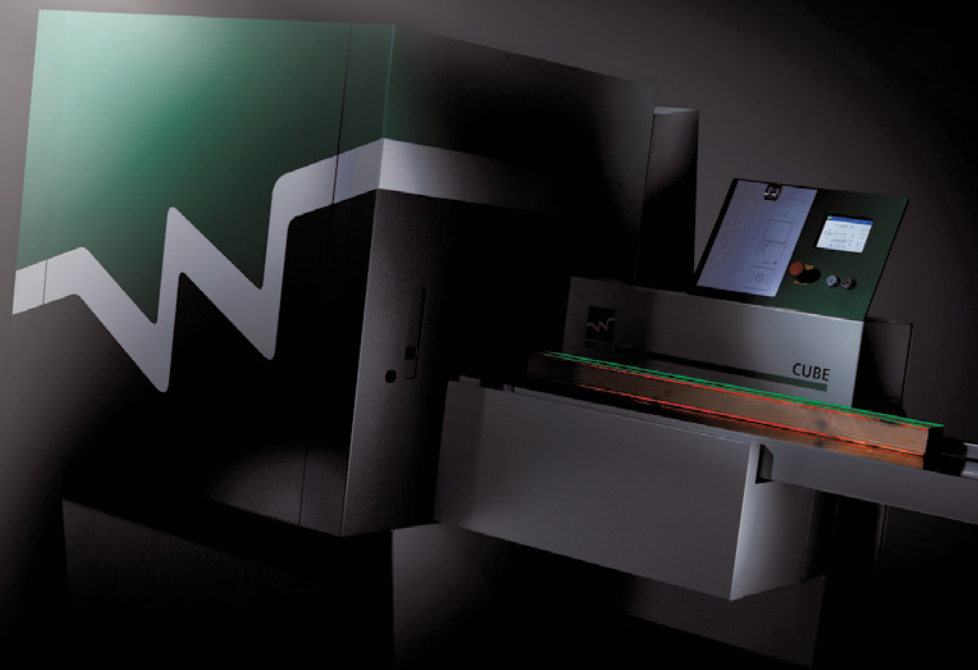


Now we are re-defining S4S: WEINIG Cube is here!

Fast, precise, efficient.
S4S planing – with no setup!
Think inside the box. Think Cube.

How can you reliably achieve great results?
In a fraction of the time you needed previously?
The answer? The Cube. Discover the many
convincing sides of the captivating Cube.

WEINIG CUBE



WEINIG Cube – Jointing and planing was for the last century

Set up ... produce

Innovation in set up technology combined with a modern composite base and simplicity of design make the Cube truly PLUG and PLAY.

This means: Set up, switch on – ready. The Cube can even be moved around the workshop at any time without a problem – a lift truck is all it takes.

It's that simple:

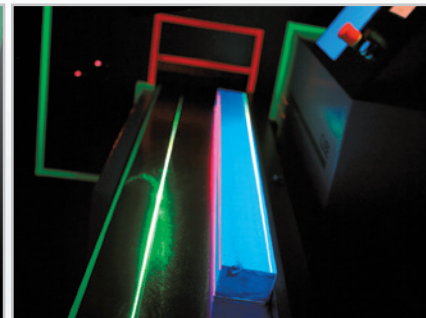
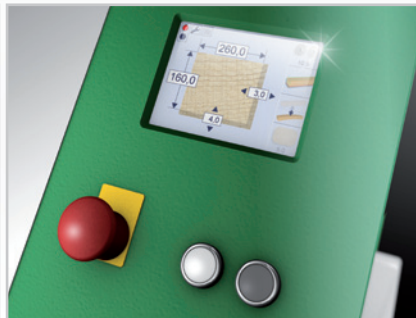
Cube operates a little differently

Thanks to its innovative, safe operation, Cube allows production to begin from the first minute – without expensive training.

Dimension changes can be performed at the push of a button with the spindles still running!

Optimal results with MPV – MoulderPreView

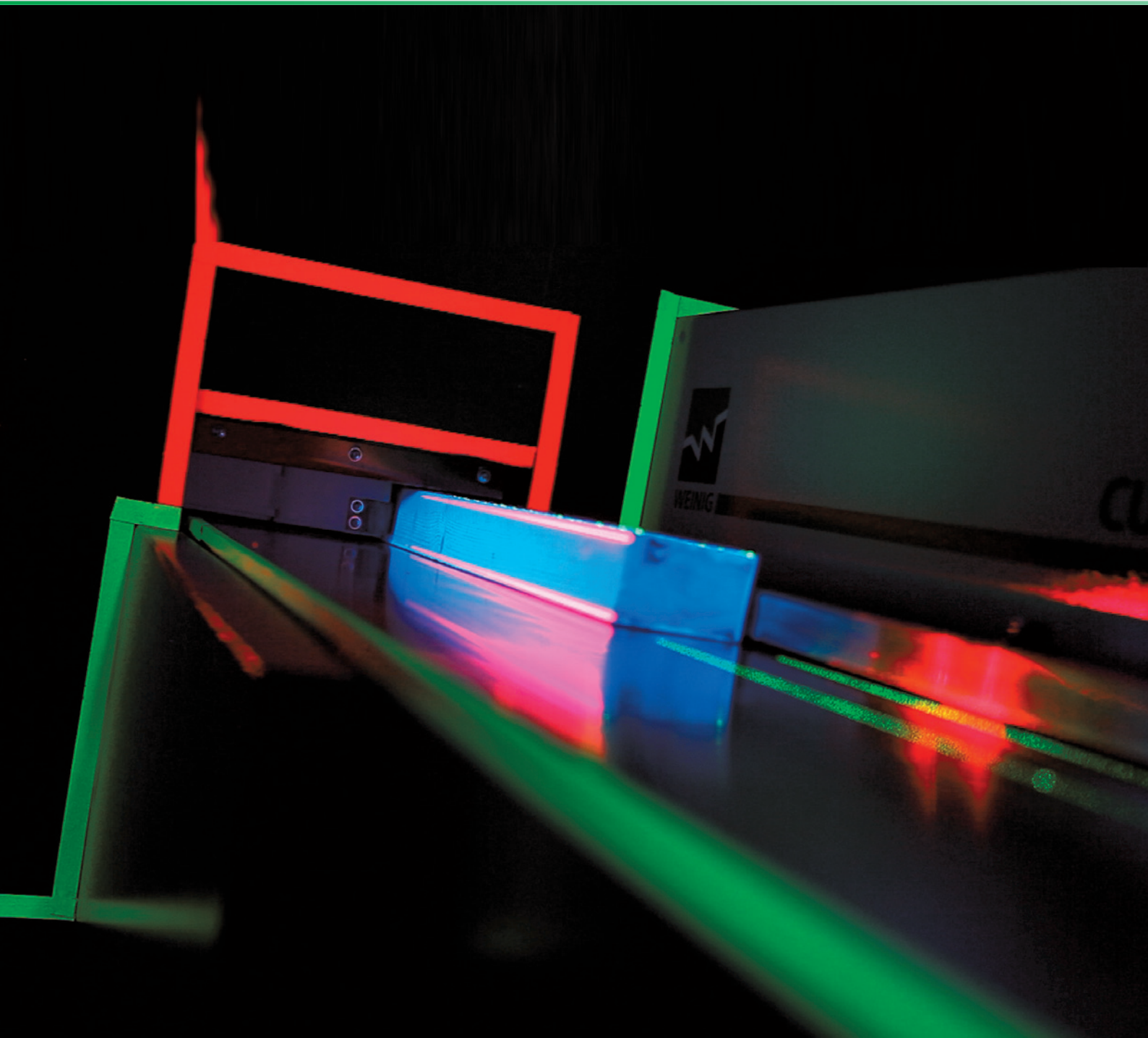
Know in advance what will come out afterwards! Your spindle settings are projected onto the workpiece by laser. This allows you to optimize settings before processing to achieve optimal output with even chip removal from all four sides. No “scant” or hit and miss.



The full package – Cube's unique benefits:

- Assess the workpiece before processing with WEINIG MoulderPreView
- Energy savings in dust extraction of up to 60%
- Rapid dimension changes while the spindles are running
- Simple operation without training
- Straight and 90° angles of your workpieces
- 10 times faster than with a jointer and planer
- No set-up procedure required
- High reliability
- Small footprint thanks to compact, solid design
- Simple, precise knife change system (WEINIG EasyLock)





The highest quality in the shortest time: "Cube-ing" pays.

What you can forget: Labor costs!

Producing 90° right angles with a jointer and planer was a job for specialists:

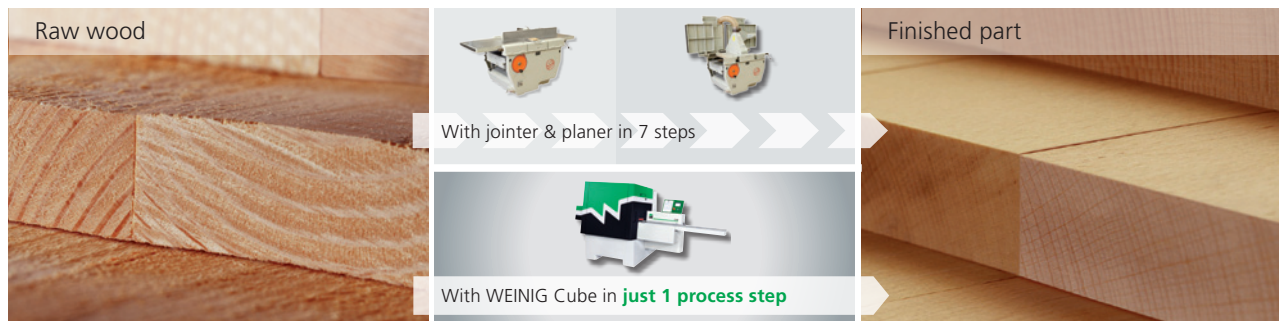
- The workpiece has to be re-run up to 7 times
- Small parts are difficult to hold, and differences in pressure create inaccuracies
- High risk of accident

Those are all things of the past.

What you also save: Production errors!

Traditional production technology increases the probability of defects and waste. Something particularly annoying: If your workpiece is not planed at right-angles, it will be apparent in the subsequent processes and that will cost time and money.

Cube eliminates all of these sources of error and creates precise 90° right-angled, dimensionally accurate, straight workpieces in a single pass.



It's true: WEINIG offers more.

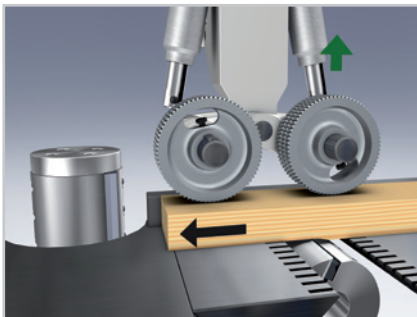
No magic.

Just the result of persistent development work.

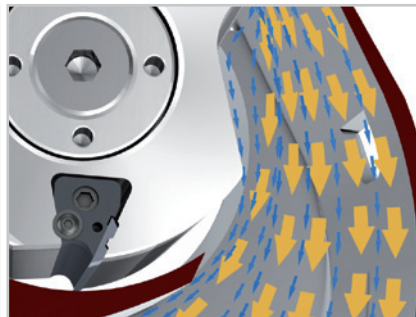
WEINIG innovations have driven solid wood processing forward and set new benchmarks time and again. The new WEINIG Cube continues the tradition – to make your day-to-day work operations simpler, more productive and more profitable.

Cube assures you:

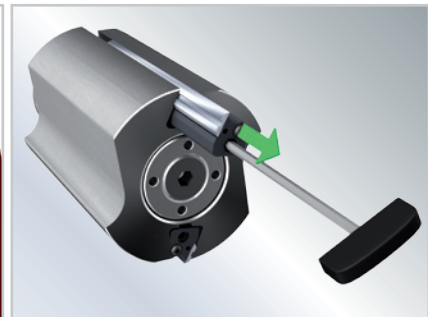
- The simplest operability
- Maximum productivity
- Efficient work
- Maximum precision



Quality



Energy savings



Precision

More for your success!

Cube - efficiency you
can count on.

Conventional processes: 15h / week
Cube (=ten x faster): 1.5h / week

SAVINGS PER WEEK = $\frac{13.5 \text{ h} \times 47 \text{ workweeks}}$

SAVINGS PER YEAR = $\frac{634.5 \text{ h} \times 44 \text{ € / h shop hour}}$

= YOUR CUBE ⊕⊕⊕



www.weinig-cube.com



Technical data

Working width	20–260 mm
Working height	8–160 mm
Frequency-controlled feed	6–12 m/min
Combined power	approx. 18 kW
Combined power (Optional)	approx. 24 kW

⊕⊕⊕ Additional Cube benefits:

- Simple / intuitive operation
- Less waste
- Smaller space requirement
- Greater product quality
- High profitability

For useful information on the new world of planing
visit www.weinig-cube.com



WEINIG

MICHAEL WEINIG AG
Weinigstrasse 2/4
97941 Tauberbischofsheim
Germany

Tel: +49 (0) 93 41 / 86-0
Fax: +49 (0) 93 41 / 70 80
info@weinig.de
www.weinig.com